

Sable Buck & Boost Transformers

Sable Buck & Boost Transformers represent an economical way to both raise supply voltage caused by line drop and equipment demands, or lower voltage caused by increased system voltages.

*Critical Dental Equipment like **Compressors, Vacuums, Sterilizers, Pan-Ceph`s, and Interoral X-Rays** require a stable supply voltage to maintain optimum performance and prevent premature failure.*

Sable Buck-Boost Transformers are:

- ✓ Steps up or steps down incoming Voltage.
- ✓ Made in Canada.
- ✓ CSA & UL approved.
- ✓ Variety of applications such as compressors, vacuums, sterilizers x-rays and more.
- ✓ Include Simple step by step bilingual install directions and drawing.
- ✓ Smaller and lighter than competitors.
- ✓ More efficient.
- ✓ Encapsulated with electrical grade silica sand and resin compounds.
- ✓ Front accessible separate high and low voltage lead wires.
- ✓ Conduit knock-outs located on the side and rear of every unit.
- ✓ Standard wall mounting with template.
- ✓ Valid for single and three phase.
- ✓ 10 Year Warranty.



3 Sizes to Choose From:

- 3001000** 350 VA, (0.35 KVA), 120/240V-12/24, 50/60Hz, CU NEMA-3R, 80 C
4.5" W x 5.75" D x 7.25" H Wall mount 14 LBS 3500 Type
- 3001010** 500 VA, (0.50 KVA), 12/240V-12/24, 50/60 Hz, CU NEMA-3R, 80 C
5.00" W x 4.75" D x 9.25" H Wall Mount 15 LBS 5000 Type
- 3001020** 750 VA, (0.75 KVA), 120/240V-12/24, 50/60Hz, CU NEMA-3R, 80 C
5.00" W x 4.75" D x 9.25" H Wall Mount 18 LBS 7500 Type

Note: Please reference opposite page sizing chart.

SABLE INDUSTRIES INC.

100 Campbell Avenue, Suite 5, Kitchener, Ontario N2H 4X8 Canada
Tel: 519-579-9323 or 1-800-368-8106 Fax: 519-579-9324
info@sableindustriesinc.com www.sableindustriesinc.com
please contact us for our complete product offering

Sable Buck & Boost Transformers

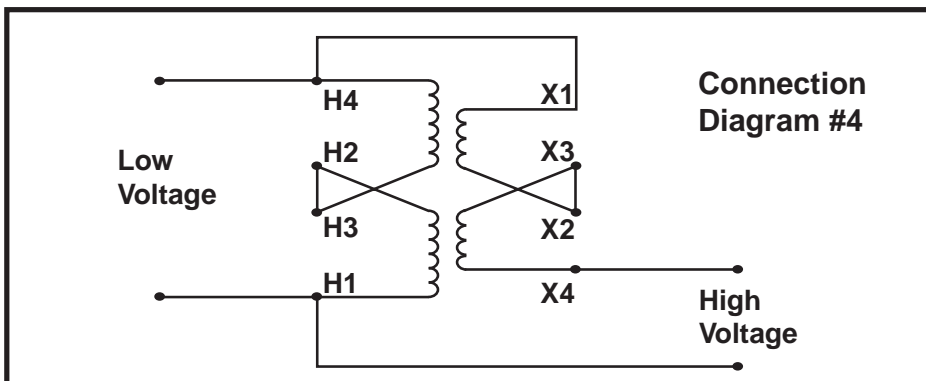
How to use the Selection chart.

1. From the top row of the "Selection Chart" locate the high and low voltage combination that is closest to the one you require. Optimally you want to park the voltage at the midpoint of the minimum-maximum range to allow for 10% +/- fluctuations.
2. Move down that column to Ampere rating equal to or greater than the rating required by the load.
3. kVA is calculated by multiplying high voltage rating by HV Amperating 1 kVA = 1000 VA.
4. From the far left column, obtain the Sable part number.

Single Phase - Group A Selection Chart

| Sable Part Number | Low Voltage | 96 | 100 | 100 | 105 | 110 | 110 | 115 | 115 | 120 | 120 | 200 | 208 | 220 | 220 | 240 | 240 |
|--------------------|--------------|------|------|------|------|------|------|------|------|------|------|------|------|------|------|------|------|
| | High Voltage | 115 | 110 | 120 | 115 | 121 | 132 | 126 | 138 | 132 | 144 | 220 | 229 | 231 | 242 | 252 | 264 |
| 3001000 | HV Amps | 14.6 | 29.2 | 14.6 | 29.2 | 29.2 | 14.6 | 29.2 | 14.6 | 29.2 | 14.6 | 14.6 | 14.6 | 29.2 | 14.6 | 29.2 | 14.6 |
| | KVA | 1.68 | 3.21 | 1.75 | 3.36 | 3.53 | 1.92 | 3.68 | 2.01 | 3.85 | 2.10 | 3.21 | 3.34 | 6.74 | 3.53 | 7.35 | 3.85 |
| | LV Amps | 17.5 | 32.1 | 17.5 | 32.1 | 32.1 | 17.5 | 32.1 | 17.5 | 32.1 | 17.5 | 16.0 | 16.0 | 30.6 | 16.0 | 30.6 | 16.0 |
| 3001010 | HV Amps | 20.8 | 41.6 | 20.8 | 41.7 | 41.7 | 20.8 | 41.7 | 20.8 | 41.7 | 20.8 | 20.8 | 20.8 | 41.7 | 20.8 | 41.7 | 20.8 |
| | KVA | 2.39 | 4.58 | 2.50 | 4.80 | 5.04 | 2.75 | 5.26 | 2.87 | 5.50 | 3.00 | 4.58 | 4.77 | 9.62 | 5.04 | 10.5 | 5.50 |
| | LV Amps | 24.9 | 45.8 | 25.0 | 45.8 | 45.8 | 25.0 | 45.8 | 25.0 | 45.8 | 25.0 | 22.9 | 22.9 | 43.7 | 22.9 | 43.7 | 22.9 |
| 3001020 | HV Amps | 31.2 | 62.5 | 31.2 | 62.5 | 62.5 | 31.2 | 62.5 | 31.2 | 62.5 | 31.2 | 31.2 | 31.2 | 62.5 | 31.2 | 62.5 | 31.2 |
| | KVA | 3.60 | 6.87 | 3.75 | 7.20 | 7.56 | 4.12 | 7.89 | 4.31 | 8.25 | 4.50 | 6.87 | 7.15 | 14.4 | 7.56 | 15.7 | 8.25 |
| | LV Amps | 37.5 | 68.7 | 37.5 | 68.7 | 68.7 | 37.5 | 68.7 | 37.5 | 68.7 | 37.5 | 34.4 | 34.4 | 65.6 | 34.4 | 65.6 | 34.4 |
| CONNECTION DIAGRAM | | 2 | 1 | 2 | 1 | 1 | 2 | 1 | 2 | 1 | 2 | 4 | 4 | 3 | 4 | 3 | 4 |

Most Common Wiring Configuration Refer To This Diagram #4



SABLE INDUSTRIES INC.

100 Campbell Avenue, Suite 5, Kitchener, Ontario N2H 4X8 Canada
 Tel: 519-579-9323 or 1-800-368-8106 Fax: 519-579-9324
 info@sableindustriesinc.com www.sableindustriesinc.com
 please contact us for our complete product offering